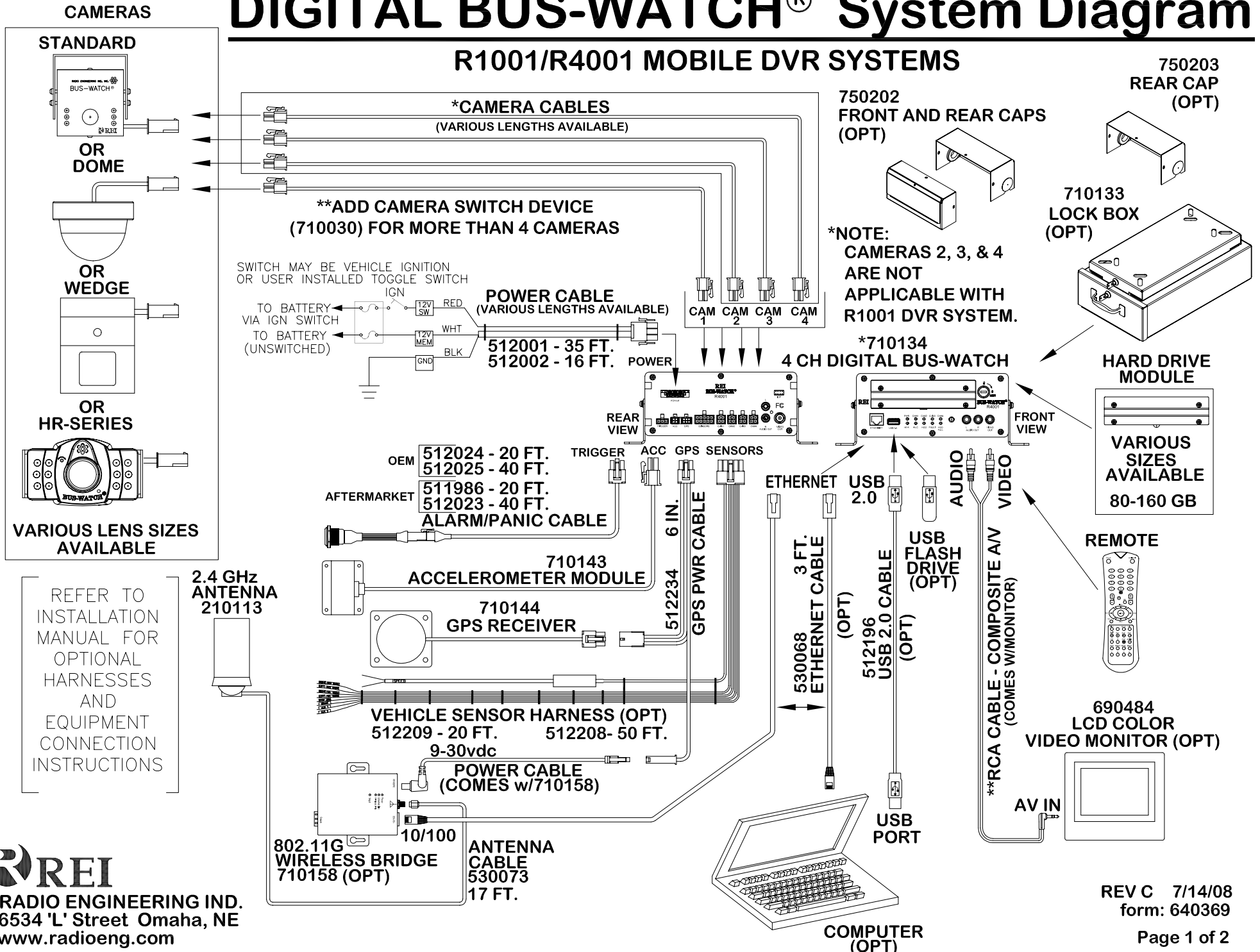
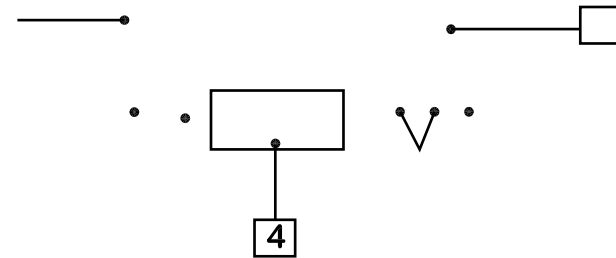
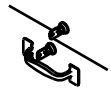


DIGITAL BUS-WATCH® System Diagram

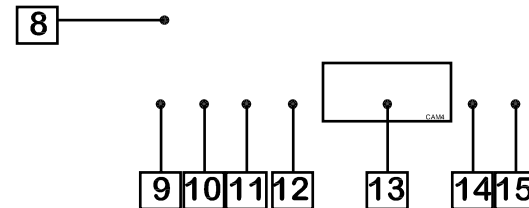
R1001/R4001 MOBILE DVR SYSTEMS



DIGITAL BUS-WATCH® System Diagram



- 1 HARD DRIVE BAY
- 2 ETHERNET CABLE CONNECTION
- 3 USB 2.0 CABLE CONNECTION
- 4 LED STATUS INDICATORS
- 5 AUDIO OUTPUT CONNECTIONS, R AND L
- 6 VIDEO OUTPUT CONNECTION
- 7 HARD DRIVE LOCK



- 8 POWER CABLE CONNECTION
- 9 TRIGGER (ALARM/PANIC CABLE CONNECTION)
- 10 ACC (ACCELEROMETER MODULE CONNECTION)
- 11 GPS (GPS RECEIVER CONNECTION)
- 12 SENSORS (VEHICLE SENSOR CABLE CONNECTION)
- 13 CAMERA INPUTS (CAM1 ON R1001 MODEL; CAM 1-4 ON R4001 MODEL)
- 14 AUDIO OUTPUT CONNECTIONS, R AND L
- 15 VIDEO OUTPUT CONNECTION